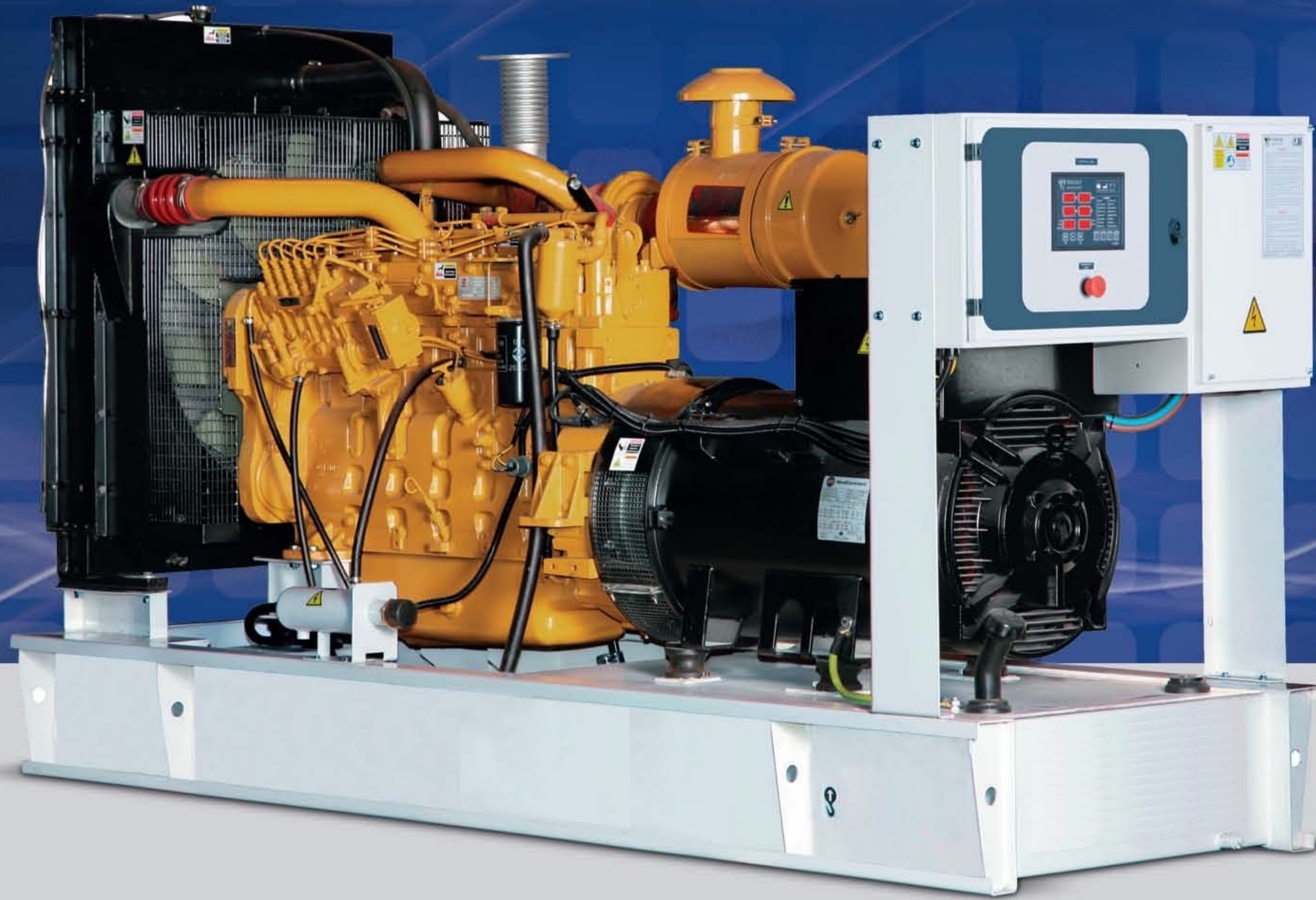


SDEC RANGE



Standard Equipments

Engine:

Water-cooled, 4-stroke, heavy industry type diesel engines with fuel consumption efficiency. Built to comply with ISO 8528-2, ISO 3046, BS5514 and DIN6271-3.

Alternator:

Brushless, single bearing, self-exciting, Class H insulated alternator for optimum performance in tropical environment with automatic voltage regulator. Compliant with IEC 60034-1; CEI EN 60034-1; BS 4999-5000; VDE 0530, NF EN 60034-1; OVE EN 60034; NEMA MG 1.22; AS 1359; CAS C 22.2.

Control Panel:

Standard control panels used in AFA TS Generator

Optional Features:

- Auto Transfer Switch systems
- Sound Proof Canopy
- Synchronization
- Remote Radiator
- Drain Oil Pump

Sets, provide comfort and reliability with all its indicators. Special control panels are designed according to the customer request.

Baseframe:

Vibration level is decreased to the standard levels that are revealed in ISO 8528-9 by anti-vibration mountings on the baseframe.

Fuel Tank:

Fuel tank is located into baseframe for genset models between 9-715 kVA. Free stand alone type fuel tank is standard above 715 kVA.

- Trailer, complete with mudguards, lights, over-run and parking brakes
- Auxiliary Fuel Tank with Automatic Feed
- Special type Silencer



Glass window is optional.

Deliver POWER to the world

SDEC RANGE



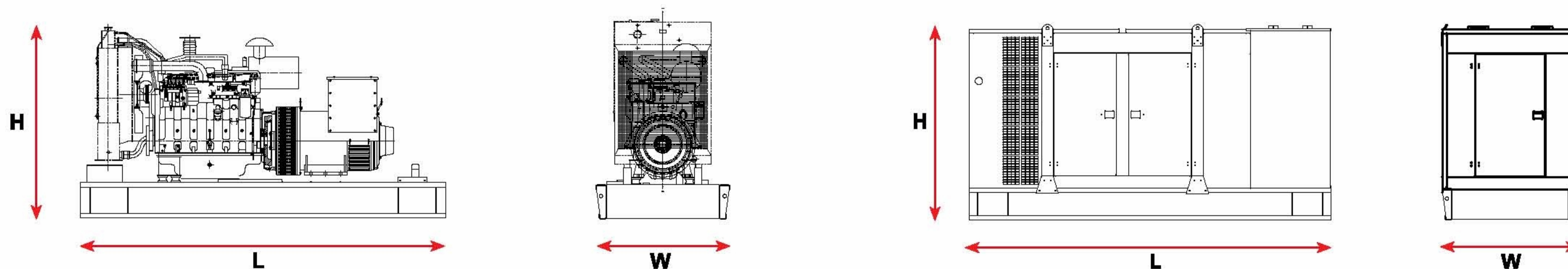
Watercooled 400 V - 3 phase 50 Hz 1500 rpm

GEN-SET MODEL	ENGINE	STANDBY POWER		PRIME POWER		ENGINE MODEL	CYL	ASP	DIMENSIONS (mm)			CANOPIED DIMENSIONS (mm)			WEIGHT (kg)	CANOPIED WEIGHT (kg)
		kVA	kW	kVA	kW				W	L	H	W	L	H		
TJ185SD	SDEC	182	146	165	132	SC8D220D	6L	TC	950	2800	1700	1200	3900	2080	1776	2437
TJ210SD	SDEC	206	165	188	150	SC9D245D	6L	TC	950	2800	1700	1200	3900	2080	1867	2528
TJ235SD	SDEC	231	185	210	168	SC9D280D	6L	TC	950	2800	1700	1200	3900	2080	1917	2578

Watercooled 400 V - 3 phase 50 Hz 1500 rpm

GEN-SET MODEL	ENGINE	STANDBY POWER		PRIME POWER		ENGINE MODEL	CYL	ASP	DIMENSIONS (mm)			CANOPIED DIMENSIONS (mm)			WEIGHT (kg)	CANOPIED WEIGHT (kg)
		kVA	kW	kVA	kW				W	L	H	W	L	H		
TJ180SC	SDEC	180	144	165	132	SC11C300D *	6L	TC	1000	3000	1600	1300	3950	1950	2010	2690
TJ205SC	SDEC	205	164	185	148	SC11C300D *	6L	TC	1000	3000	1600	1300	3950	1950	2070	2750
TJ240SC	SDEC	240	192	220	176	SC11C300D *	6L	TC	1000	3000	1600	1300	3950	1950	2140	2820
TJ260SC	SDEC	260	208	235	188	SC11C300D *	6L	TC	1000	3000	1600	1300	3950	1950	2190	2870
TJ275SC	SDEC	275	220	250	200	SC11C350D *	6L	TC	1220	3000	1700	1650	4500	2400	2230	3720
TJ290SC	SDEC	290	232	260	208	SC11C350D *	6L	TC	1220	3000	1700	1650	4500	2400	2350	3840

* These engines have been manufactured by sdec under license of Caterpillar.



Standby Power : Standby Power is applicable for supplying emergency electric power for the duration of the utility power outage.

Prime Power : Prime power is the maximum power available at variable load for an unlimited number of hours. A 10% overload capacity is available.

NOTES: All outputs stated are based at NTP in accordance with ISO8528, Please contact AFA TS to assess if any derate is required.

All information given in this leaflet is intended for general purposes only. Due to the continuous improvement policy, AFA TS reserves the right to amend details and specifications without notice and all information given is subject to the AFA TS current condition of sales.