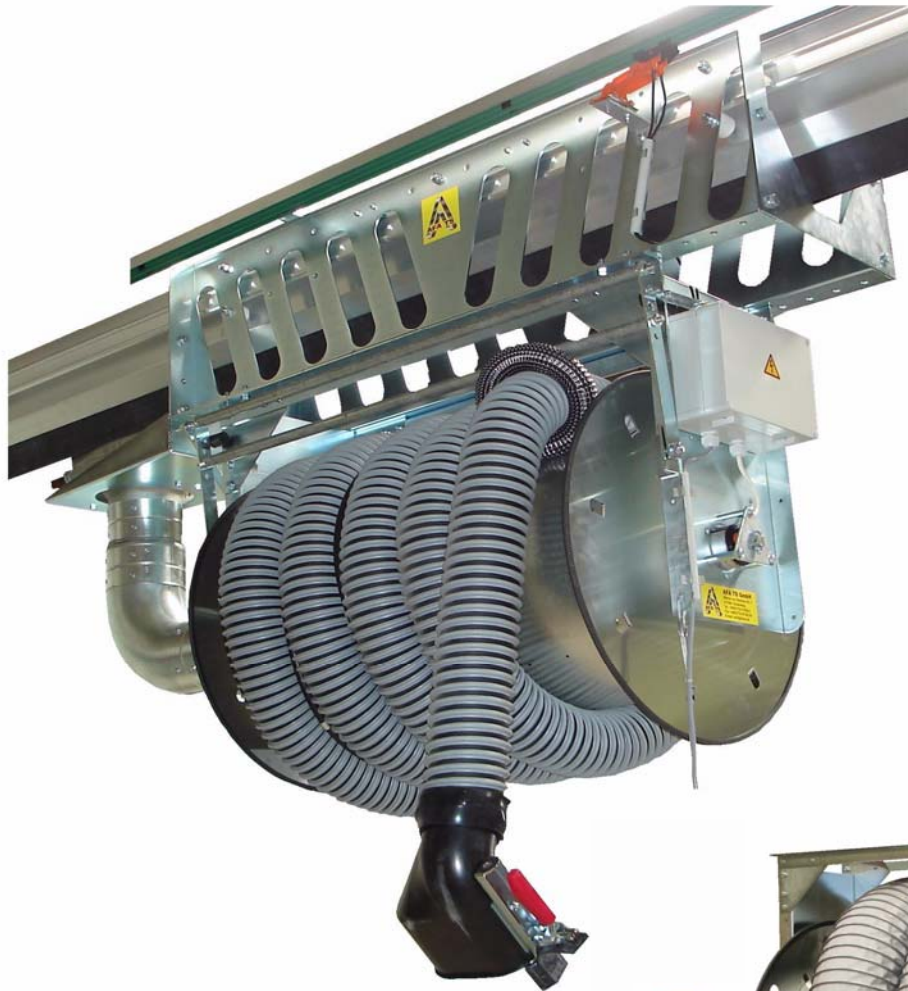


***We care about you !***



## Exhaust Hose Reels



## Stationary Spring Hose Reel Type ARF Ø... / L...

Ø = Hose Diameter in mm / L = Hose Length in m

Part No.	Type Ø / L	Drum Width	Price
770-075	ARF 100 / 7,5	800mm	
770-000	ARF 100 / 10,0	800mm	
770-175	ARF 125 / 7,5	800mm	
770-100	ARF 125 / 10,0	1000mm	
770-275	ARF 150 / 7,5	800mm	
770-200	ARF 150 / 10,0	1000mm	
770-2212	ARF 200 / 7,5	1200mm	



The hose reel employs a concentric drive-spring to recoil the exhaust gas hose. It further features a holding mechanism that prevents the hose from recoiling at least two times per revolution of the hose reel. Once the hose is uncoiled passed the initial holding mechanism, there are two sections in each revolution of the hose reel where the hose reel will recoil. The hose reel frame is composed of zinc-plated steel.

The drum is made of galvanized steel sheet and the side plates of aluminium.

Exhaust nozzle made of neoprene with clamping device. Exhaust hose is temperature rated up to 200°C.

## Stationary Spring Hose Reel with flanged Fan Type ARF-V Ø... / L... / F...

Ø = Hose Diameter in mm / L = Hose Length in m / F = Fan Type

Part No.	Type Ø / L / F	Drum Width	Price
771-075	ARF 100 / 7,5 / 12	800mm	
771-000	ARF 100 / 10,0 / 12	800mm	
771-175	ARF 125 / 7,5 / 12	800mm	
771-100	ARF 125 / 10,0 / 16	1000mm	
771-275	ARF 150 / 7,5 / 16	800mm	
771-200	ARF 150 / 10,0 / 16	1000mm	



The hose reel employs a concentric drive-spring to recoil the exhaust gas hose. It further features a holding mechanism that prevents the hose from recoiling at least two times per revolution of the hose reel. Once the hose is uncoiled passed the initial holding mechanism, there are two sections in each revolution of the hose reel where the hose reel will recoil. The hose reel frame is composed of zinc-plated steel.

The drum is made of galvanized steel sheet and the side plates of aluminium.

Exhaust nozzle made of neoprene with clamping device. Exhaust hose is temperature rated up to 200°C.

Flange-Mount Fan Type ATS 12 or Type 16. The fan could be revolved 360° around the reel axle.

## Stationary Motorized Hose Reel Type ARE Ø... / L...

Ø = Hose Diameter in mm / L = Hose Length in m

Part No.	Type Ø/L	Drum Width	Price
772-075	ARE 100 / 7,5	800mm	
772-000	ARE 100 / 10,0	800mm	
772-175	ARE 125 / 7,5	800mm	
772-100	ARE 125 / 10,0	1000mm	
772-275	ARE 150 / 7,5	800mm	
772-200	ARE 150 / 10,0	1000mm	
772-212	ARE 150 / 12,5	1200mm	
772-215	ARE 150 / 15,0	1500mm	
772-2224	ARE 200 / 12,0	1200mm	



The reel rotates via two maintenance-free bushings.

The hose reel frame is composed of zinc-plated steel. The drum is made of galvanized steel sheet and the side plates of aluminium. Motorized hose reel feature a compact cylindrical control motor with thermal overload protection and adjustable limit switches. Pendant switch for control the function: reel UP-DOWN.

Exhaust nozzle made of neoprene with clamping device. Exhaust hose is temperature rated up to 200°C.

## Stationary Motorized Hose Reel with flanged Fan Type ARE-V Ø... / L... / F...

Ø = Hose Diameter in mm / L = Hose Length in m / F = Fan Type

Part No.	Type Ø/L/F	Drum Width	Price
773-075	ARE 100 / 7,5 / 12	800mm	
773-000	ARE 100 / 10,0 / 12	800mm	
773-175	ARE 125 / 7,5 / 12	800mm	
773-100	ARE 125 / 10,0 / 16	1000mm	
773-275	ARE 150 / 7,5 / 16	800mm	
773-200	ARE 150 / 10,0 / 16	1000mm	
773-212	ARE 150 / 12,5 / 16	1200mm	
773-215	ARE 150 / 15,0 / 16	1500mm	



The reel rotates via two maintenance-free bushings.

The hose reel frame is composed of zinc-plated steel. The drum is made of galvanized steel sheet and the side plates of aluminium. Motorized hose reel feature a compact cylindrical control motor with thermal overload protection and adjustable limit switches. Pendant switch for control the function: Reel UP-DOWN, Fan ON-OFF

Exhaust nozzle made of neoprene with clamping device. Exhaust hose is temperature rated up to 200°C.

Flange-Mount Fan Type ATS 12 or Type 16. The fan could be revolved 360° around the reel axle.

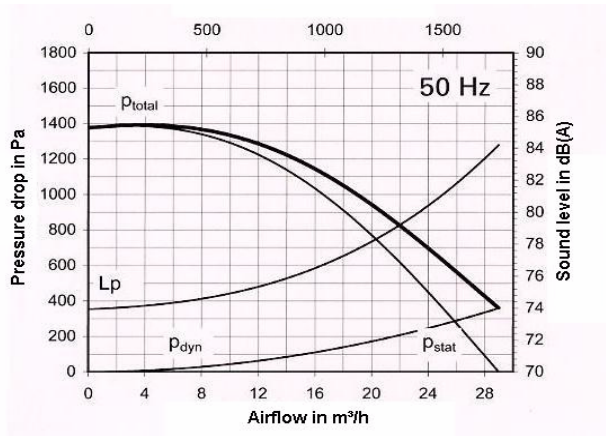


## Available Accessories for Hose Reel

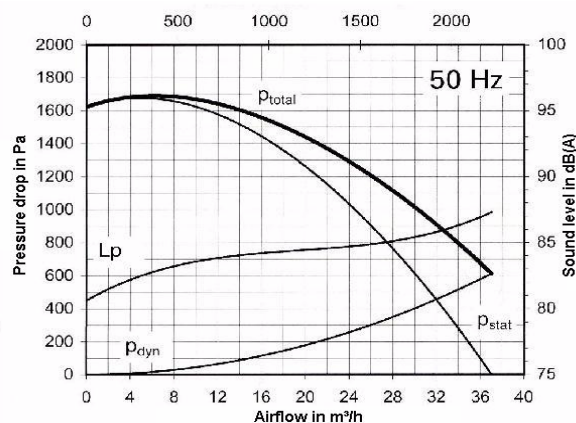
Part No.	Description	Price	Photo
750-005	Automatic Shut-Off Valve Ø160		
750-006	Automatic Shut-Off Valve Ø200		
730-024	Wall Switch "Hose UP/DOWN"		
730-019	Radio Remote Control "Hose UP/DOWN"		
999-999	High Temperature Hose rated up to 1100°C		
999-999	Nozzle Special Equipment		
999-999	Various Type of Controllers for customized systems		
999-999	Crane-STOP Safety Device for systems / reels installed above the crane.		
999-999	Special Equipment available on request		

## Technical Data of the flanged Fans

**Type ATS 12** Cast Aluminium Pressure Blowers  
 max. 1740m<sup>3</sup>/h, max. 1400Pa  
 0,85kW - 1,9A - IP54  
 3~ 400V 50Hz

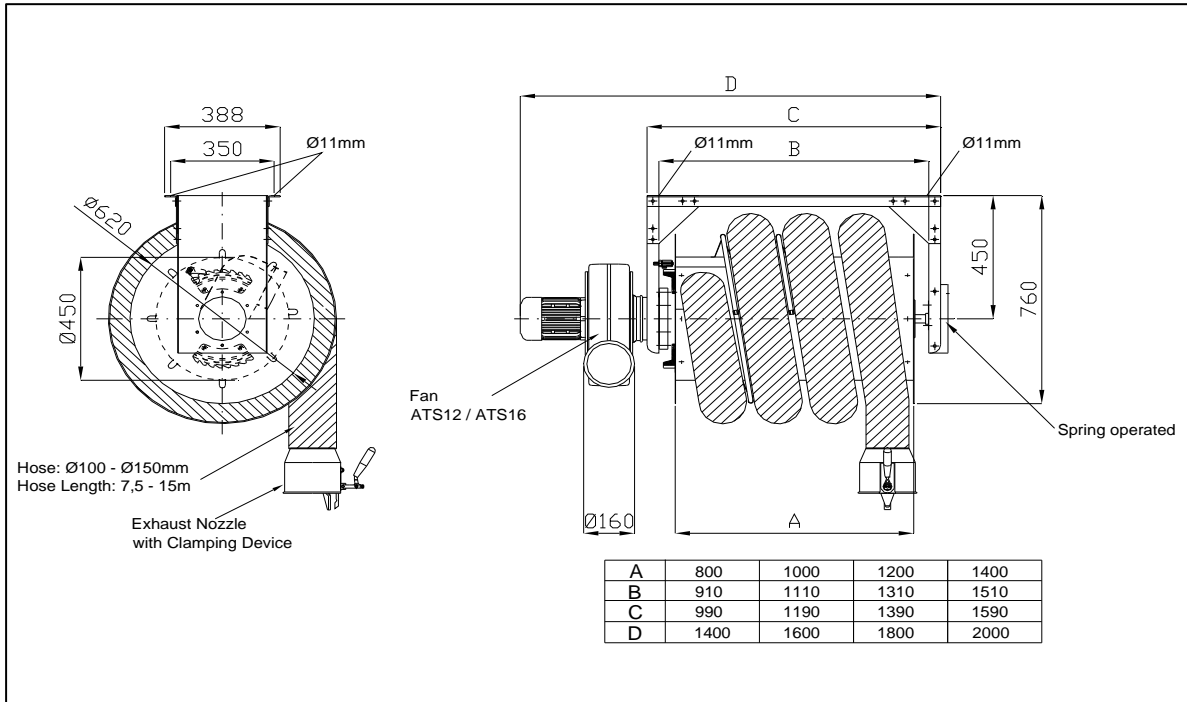


**Type ATS 16** Cast Aluminium Pressure Blowers  
 max. 2220m<sup>3</sup>/h, max. 1600Pa  
 1,2kW - 2,65A - IP54  
 3~ 400V 50Hz

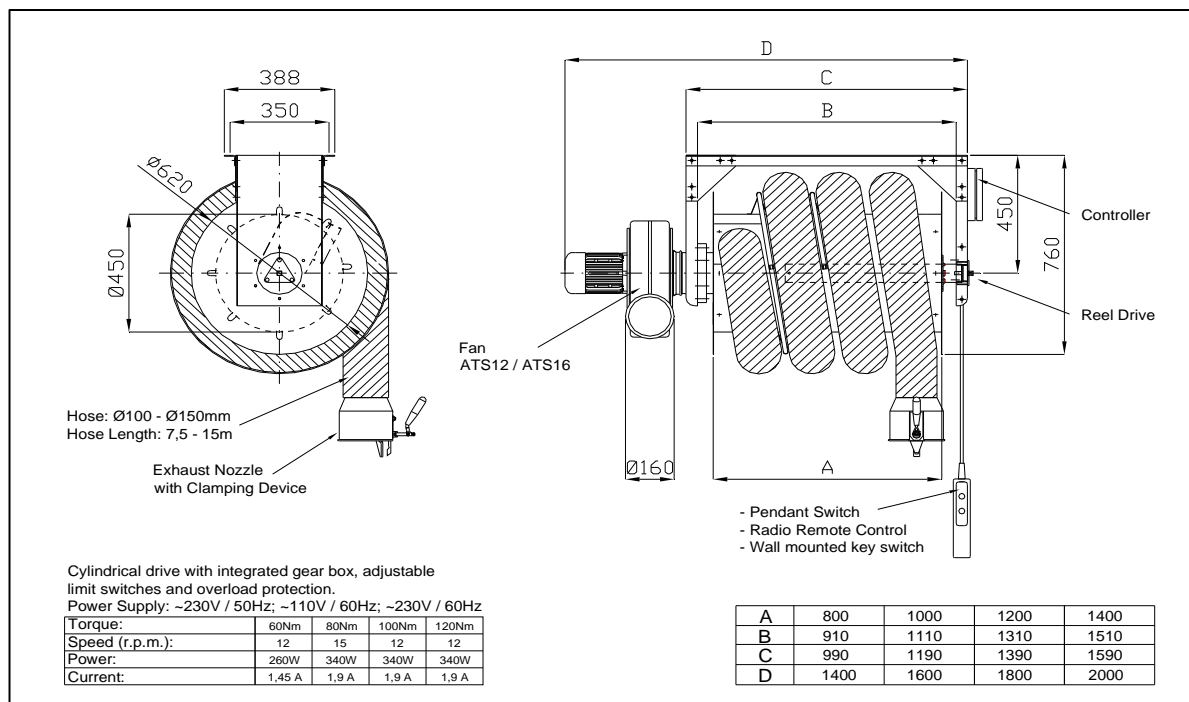


## Technical Specifications

### Stationary Spring Hose Reel with flanged Fan

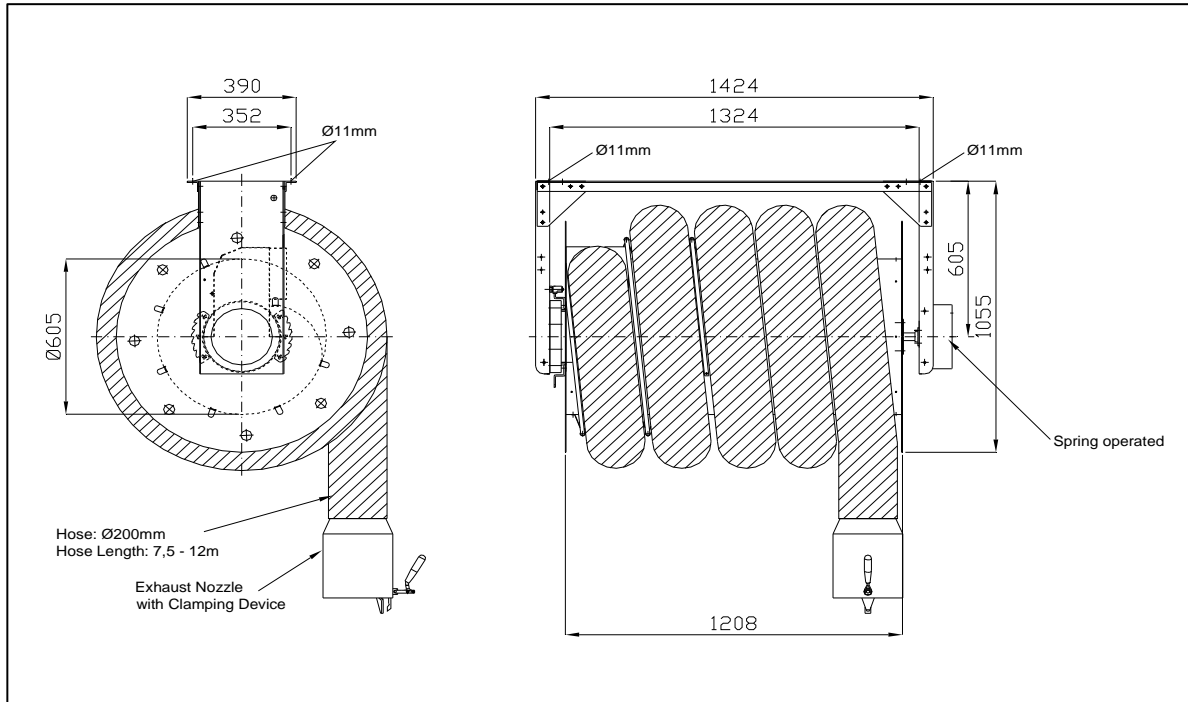


### Stationary Motorized Hose Reel with flanged Fan

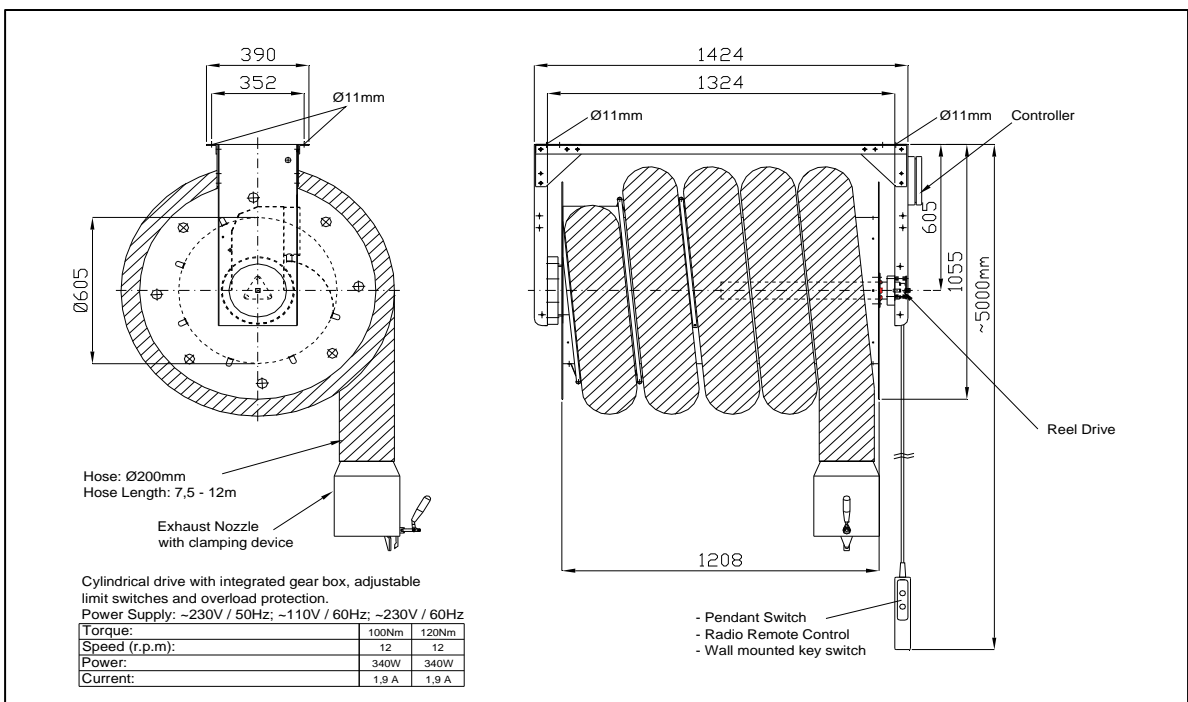


## Technical Specifications

### Stationary Spring Hose Reel Type 200 / 12

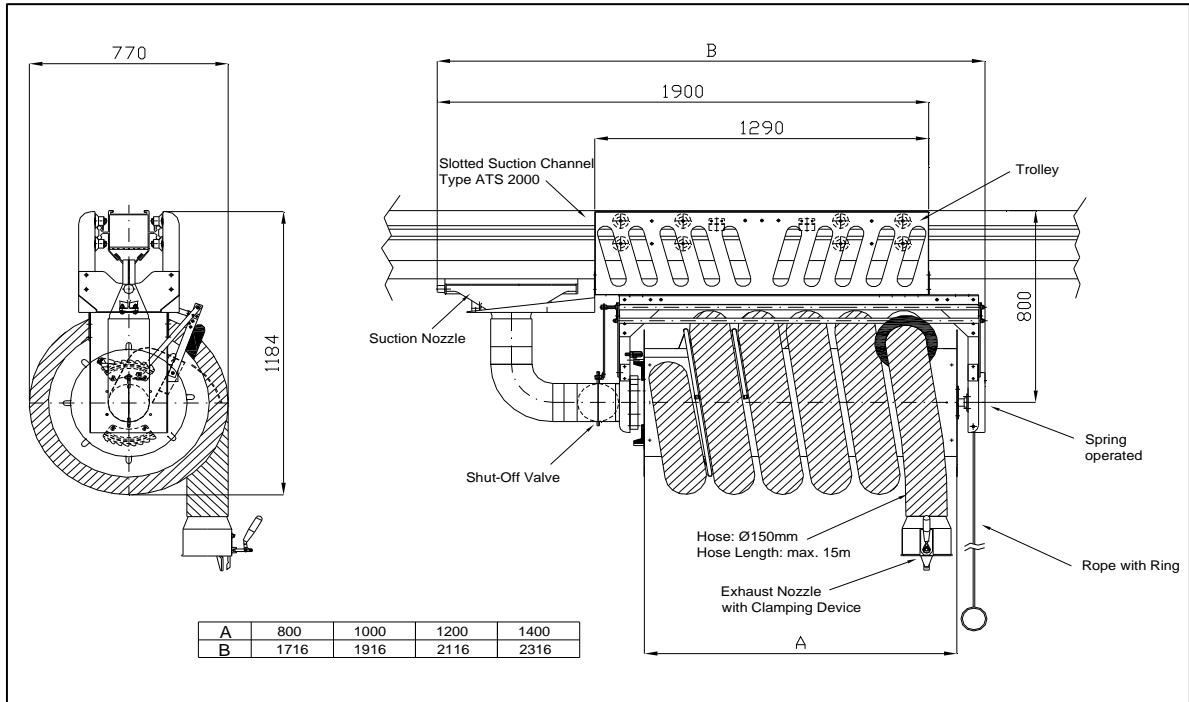


### Stationary Motorized Hose Reel Type ARE 200 / 12

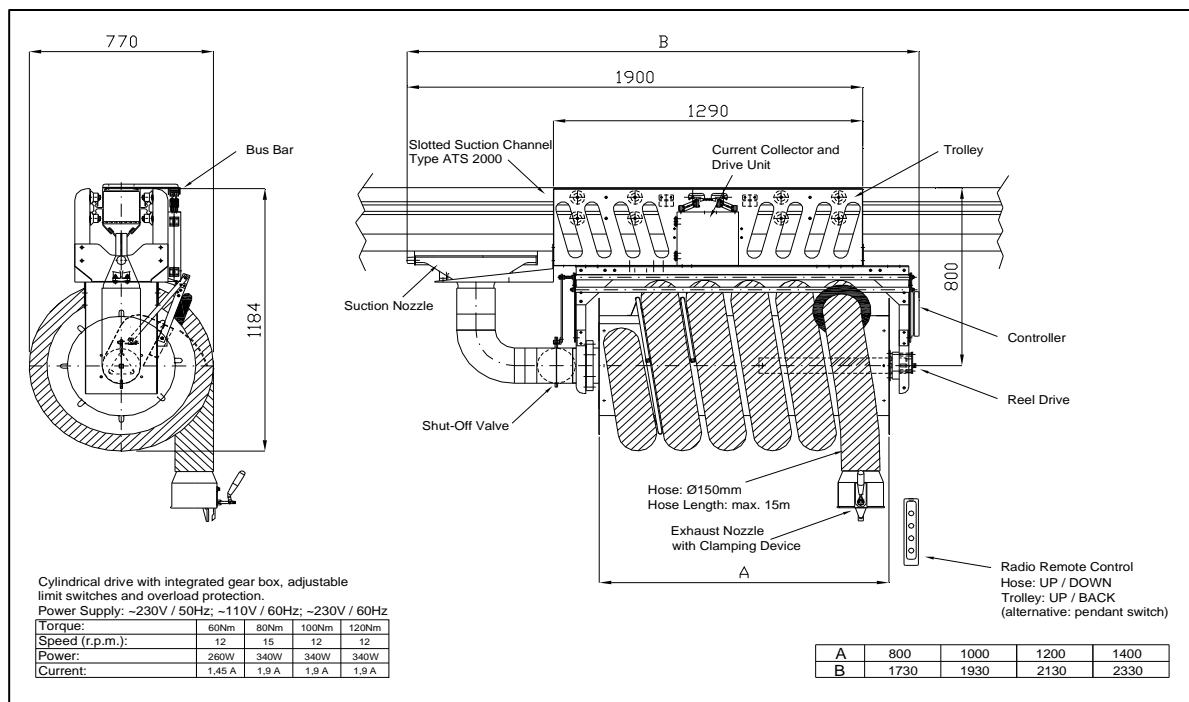


## Technical Specifications

### Mobile Spring Hose Reel ARF-W 150 / 12 (on request)



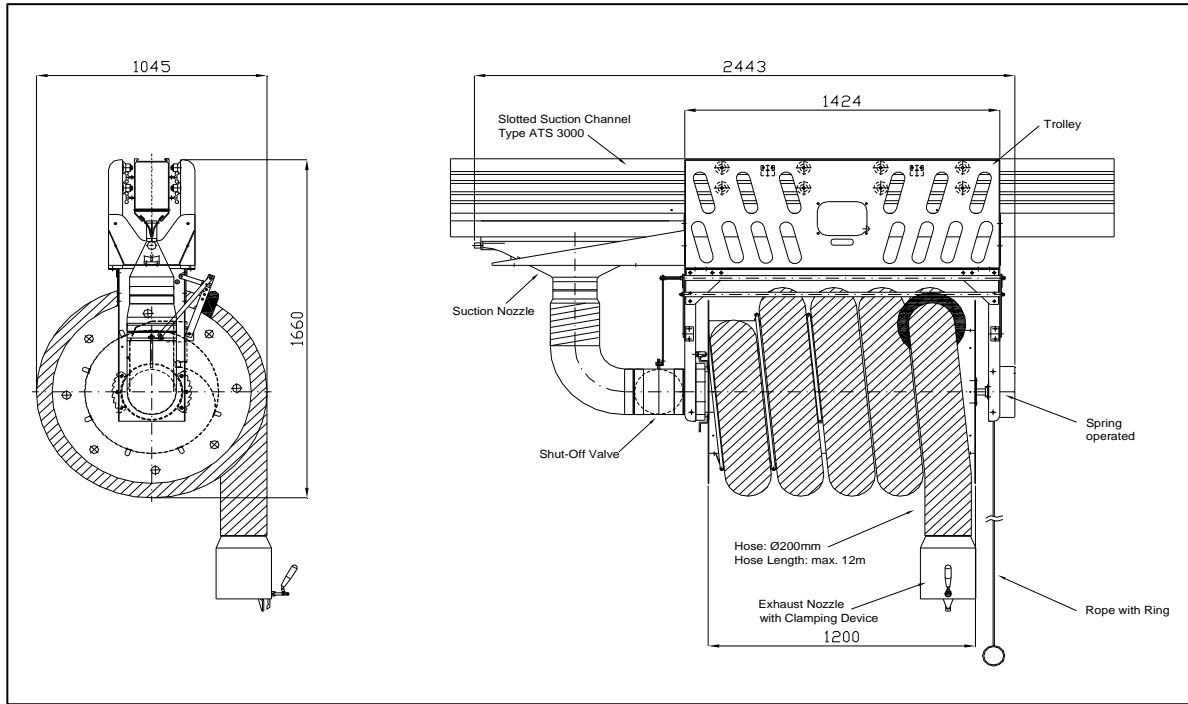
### Mobile Motorized Hose Reel ARE-W 150 / 12 (on request)



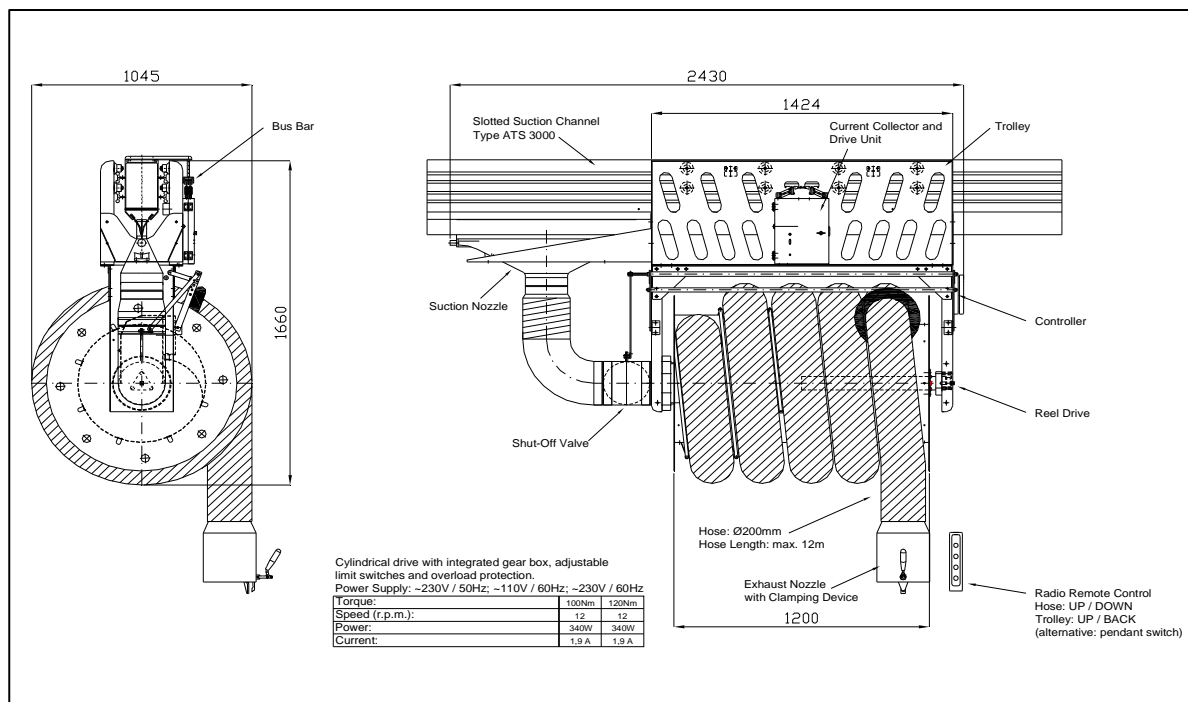


## Technical Specification

### Mobile Spring Hose Reel ARF-W 200 / 12 (on request)



### Mobile Motorized Hose Reel ARE-W 200 / 12 (on request)



*We care about you !*



**China**

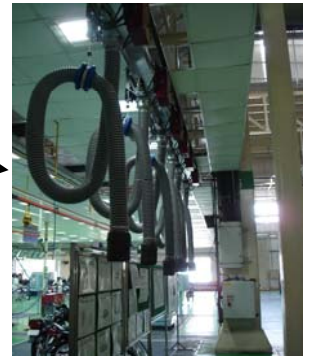
**Russia**

**Germany**



**Austria**

**India**



**Switzerland**

**USA**

**Belgium**



**Australia**

**Spain**





*We care about you !*

